

## GENERAL

**ALIAMAG** AMF301 Series is a threaded type electromagnetic flowmeter ideal for conductive liquids. It comes in sizes from 4 to 25 mm. The AMF301 is widely used for tap-water, waste water, food & beverage, pulp & paper and many other industrial fluid. AMF301 Series electromagnetic flowmeter could be used in compact or separate model with AMC Series converter of electromagnetic flowmeter.

## FEATURES

- Light and compact version
- Flow velocity range: 0-12 m/s, precisely in low flow applications
- Interface thread piping
- FEP Liner suitable for vacuum tube
- High accuracy of +/-0.4% value of reading (or +/-0.2% value of reading)
- With Forward / Reverse flowrate measurement function

## STANDARD SPECIFICATION

- Size : 4, 6, 10, 15, 25 mm
- Measuring Range : Velocity 0-0.25 m/s min.  
0-12 m/s max.
- Material
  - Tube & Connection : Stainless Steel 304
  - Coil Housing : Carbon Steel (Standard)
  - Liner : FEP
  - Electrode : Stainless Steel 316L (4mm~25mm)
    - : Titanium (4mm~25mm)
    - : Hastelloy B (4mm~25mm)
    - : Hastelloy C (4mm~25mm)
    - : Tantalum (4mm~25mm)
    - : Platinum (25mm)
- Flow Range
  - 4 mm : 0 - 11.3 L/Hr ~ 0 - 543 L/Hr
  - 6mm : 0 - 25 L/Hr ~ 0 - 1221 L/Hr
  - 10 mm : 0 - 71 L/Hr ~ 0 - 3393 L/Hr
  - 15 mm : 0 - 159 L/Hr ~ 0 - 7634 L/Hr
  - 25 mm : 0 - 442 L/Hr ~ 0 - 21205 L/Hr
- Cable Entry : Standard :PG11 Option:1/2"NPTF
- Ambient Temperature : -25 to +60 °C
- Process Connection : Screw male thread (BSP)
- Grounding Resistance : Must be less than 10 Ω
- Accuracy : +/-0.4% of reading (Velocity ≥ 0.5 m/s)  
+/-0.2% of reading  
(Suitable for AMC3200/3100 converter )  
+/-0.0025 m/s (Velocity < 0.5 m/s)
- Temperature
  - Compact : -10 ~ +80 °C
  - Separate : -20 ~ +120 °C
- Max. Pressure : 16 Kg/cm<sup>2</sup>
- Explosion Proof : Exd(ib)ibqIIBT5  
(with AMC3100/AMC3200 only)
- Protection Class : IP 67
- Conductivity : More than 5 uS/cm

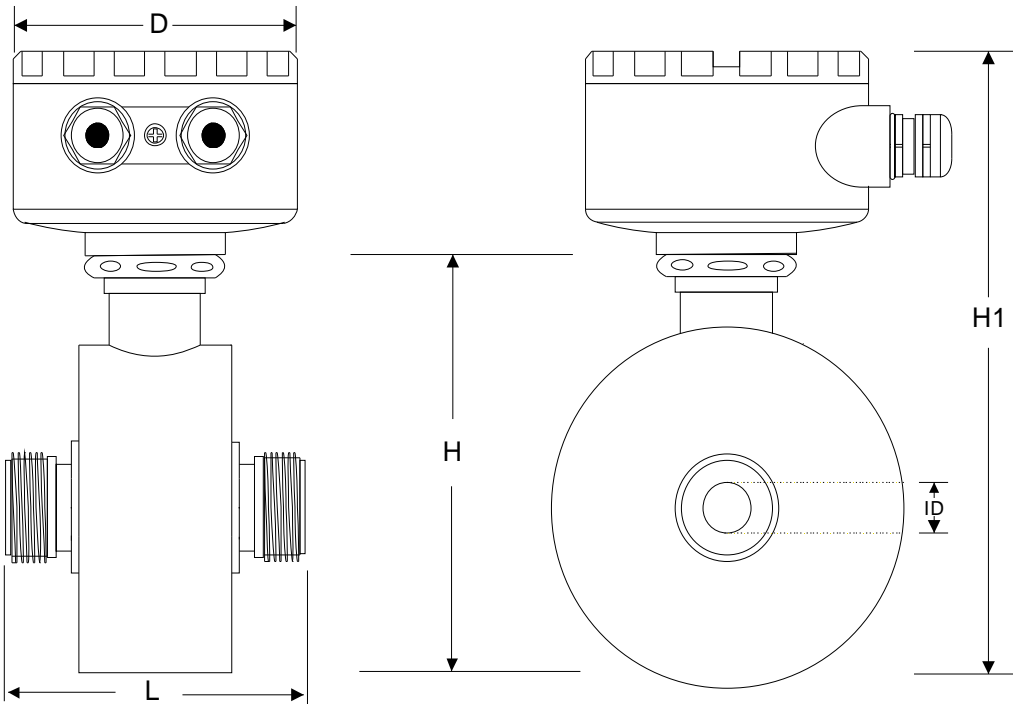


**FLOW RANGE**

Unit: Liter/Hr

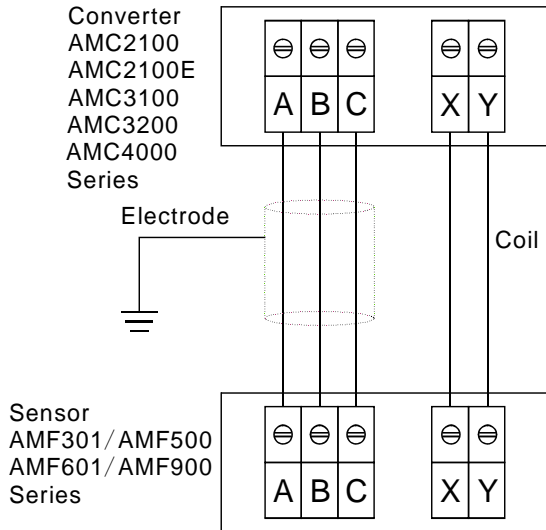
Normal Size mm	Flow Range & Velocity Table						Max. 0 - 12 M/S
	Min. 0 - 0.25M/S	1.0 M/S	2.0 M/S	3.0 M/S	5.0 M/S	10.0 M/S	
4	0 to 11.3	45	90	136	226	452	0 to 543
6	0 to 25	102	204	305	509	1,018	0 to 1,221
10	0 to 71	283	565	848	1,414	2,827	0 to 3,393
15	0 to 159	636	1,272	1,908	3,181	6,362	0 to 7,634
25	0 to 442	1,767	3,534	5,301	8,836	17,671	0 to 21,205

**DIMENSIONS**



Size	Connection	Dimensions (mm)				Weight
ID(mm)		L	D	H	H1	kg
4	1/2" BSP	90	93	140	209	2.0
6		90	93	140	209	2.0
10	3/4" BSP	100	93	145	214	2.2
15	3/4" BSP	110	93	145	214	2.5
25	1-1/4" BSP	110	93	165	234	2.5

➤ WIRING DIAGRAM



➤ MODEL SELECTION GUIDE

AMF301 Series					
Example: AMF301-06-C-050-N					
AMF301-	XX	-X	XXX	-X	Description
Size	04 ~25				4, 6, 10, 15, 25mm
Electrode Material	-S				Stainless Steel 316L (4mm~25mm)
	-T				Titanium (4mm~25mm)
	-B				Hastelloy B (4mm~25mm)
	-C				Hastelloy C (4mm~25mm)
	-A				Tantalum (4mm~25mm)
	-P				Platinum (25mm)
	-Z				Others
Installation & Cable Length	NNN				Compact Version
	010~300				Separate Version, Cable 10M ~ 300M
Option			-N	None	
			-X	Explosion Proof, Exd(ib)ibqIIBT5 (with AMC3100/AMC3200 Only)	
			-PT	Cable Entry 1/2" NPTF	

**➤ BUILD OPTIONS-(COMPACT OR REMOTE)**

