

GENERAL

ALIASONIC AUF790 Series is a fixed mounted, Open Channel ultrasonic flowmeter, with clamp-on transducer used for non-invasive measurement. Our microprocessor based, user friendly, field programmable flow measurement technique allows no interruption of the process flow and has low installation costs.

FEATURES

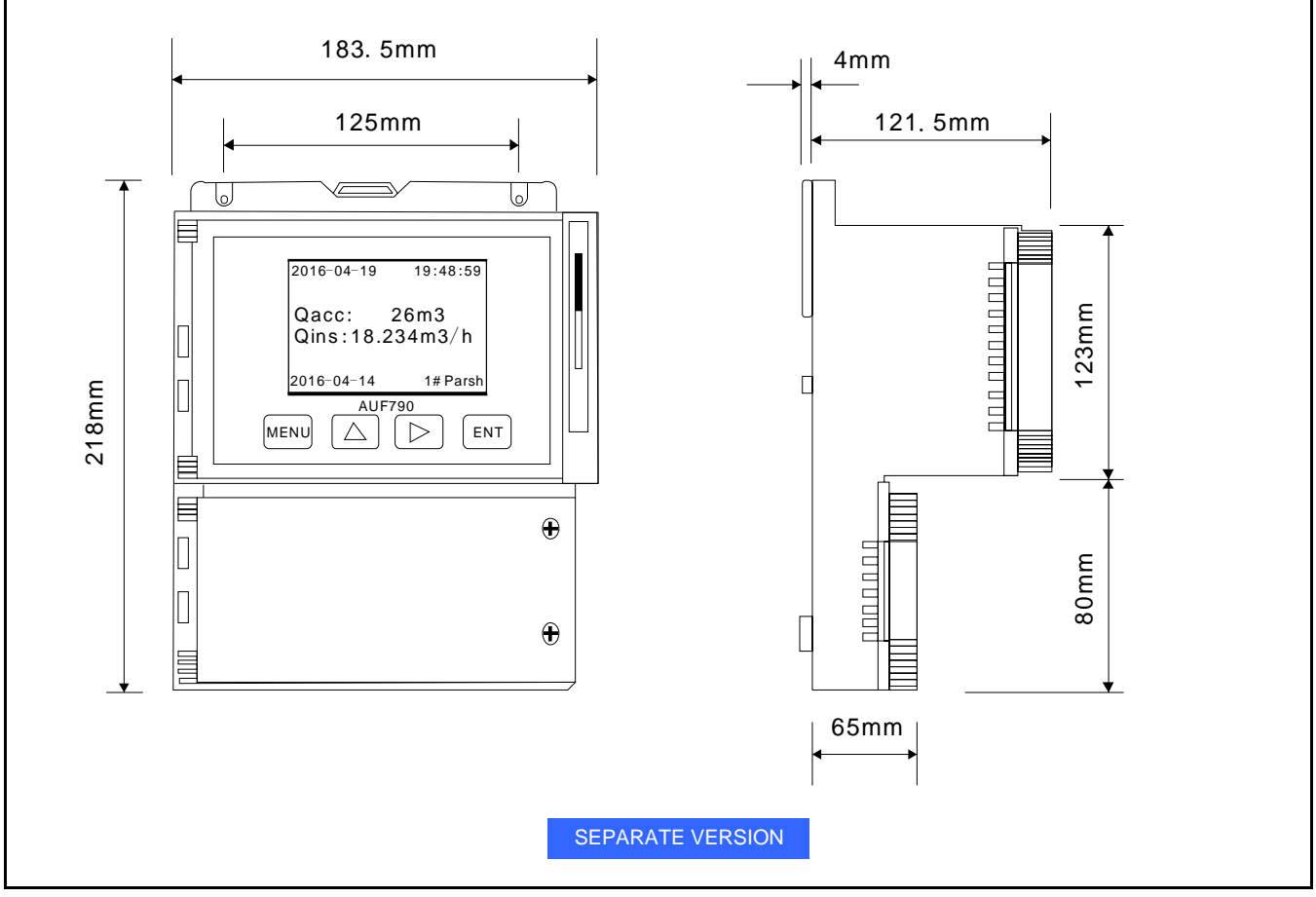
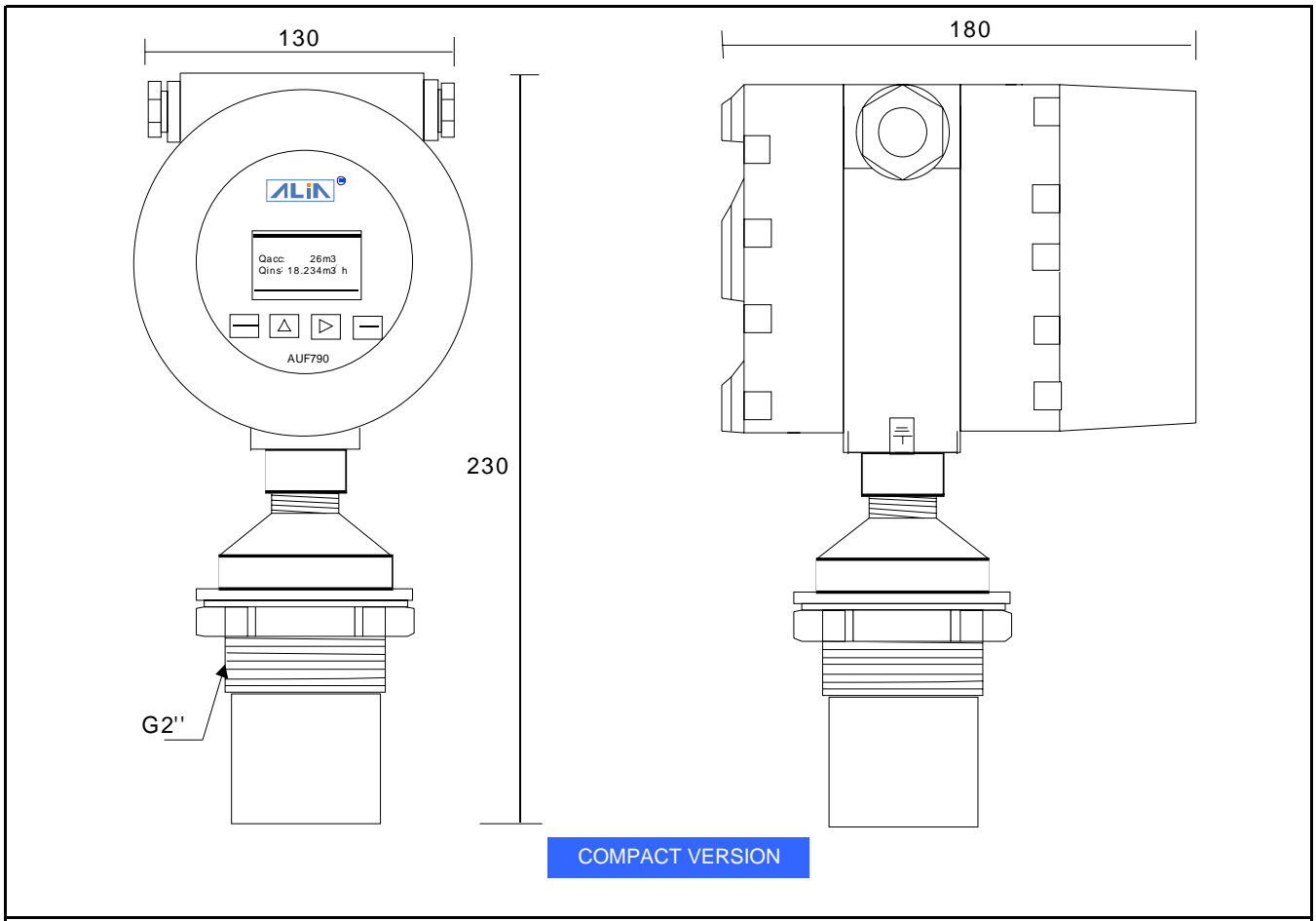
- ❑ 4 line LCD display with flowrate, totalizer & Level condition
- ❑ V-notch, rectangular with and without end contractions, Cipolletti.
- ❑ Parshall, Palmer-Bowlus, Leopold-Lagco, trapezoidal, H.
- ❑ A sampler relay will signal your sampler to collect flow proportion
- ❑ High accuracy of +/-0.25% of Full Scale
- ❑ Non-contact flow measurement
- ❑ Exclusive sensor for open channel flow
- ❑ Response time less than 1 second

STANDARD SPECIFICATION

- Measuring Principle : Ultrasonic Sound
- Measuring Range :
 - Level : 0-3 Meter
 - Flow Rate : 0-120000 m3/s
- Accuracy : +/-0.25% of Full Scale
- Repeatability : +/-0.1% of reading
- Material
 - Ultrasonic Tube : ABS
 - Sensor Head : Polyurethane (Standard) / ETFE / PTFE
 - Housing : ABS (Separate Version)
 - : Low copper cast aluminum alloy with polyurethane (Compact Version)
- Display : 4 Line LCD with illumination
 - Flowrate : 9 digits with decimal point
 - Totalizer : 9 digits
 - Level : 4 digits
 - Flow Engineer Unit : M3, Liter
 - Level : Meter / Feet
 - Time Unit : Second, Hour
 - Other : Signal condition
- Formula : V-notch, Parshall, Palmer-Bowlus
 - : rectangular, Cipolletti, Leopold-Lagco
- Sensor Frequency : 40KHz / 1KHz
- Temp Compensation : Built-in to compensate over temperature range
 - Low Level Cutoff : 0.000 ~ 1.000 Meter
 - Dead Band : 0.35 M Max.
 - Beam Angle : 6 °
 - Keypad : 4 Key with tactile action
 - Response Time : Less than 1 second
 - Ambient Temperature : -20 ~ +60 °C
 - Mounting : G2" (Standard) / Flange end (Optional)
 - Max. Cable Length : 50 M
 - Power Consumption : Less than 3W
 - Power Supply : 90 ~ 260Vac, 50/60 Hz (4wires)
 - : 18-36Vdc (4wires)
 - Data Storage : Operation parameters and totalization date are stored by EEPROM for more than 10 years
 - Output : 4-20 mA
 - Load : Rohm=(Vdc-12)*50 W
 - Alarm : High/Low/High-High/Low-Low
 - Communication : RS-485 (modbus)
 - Dimensions :
 - Compact : 130mm (W) *230mm (H) *180mm (D)
 - Separate : 183.5mm (W) *218mm (H) *125.5mm (D)
 - Weight : 3.5 Kg (compact), 2.2 Kg (Separate)
 - Enclosure : IP65 (ABS) / IP67 (Aluminum Alloy)
 - : Explosion Proof, EX d (ia) II B T4

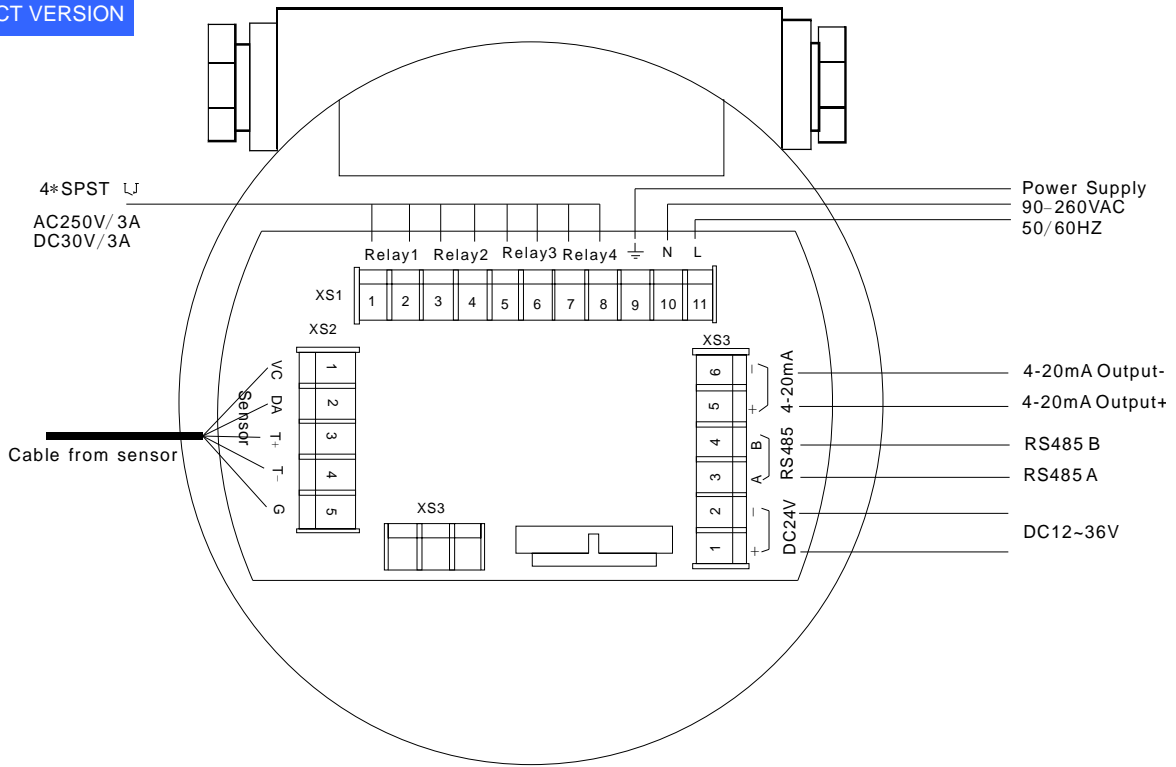


➤ DIMENSIONS

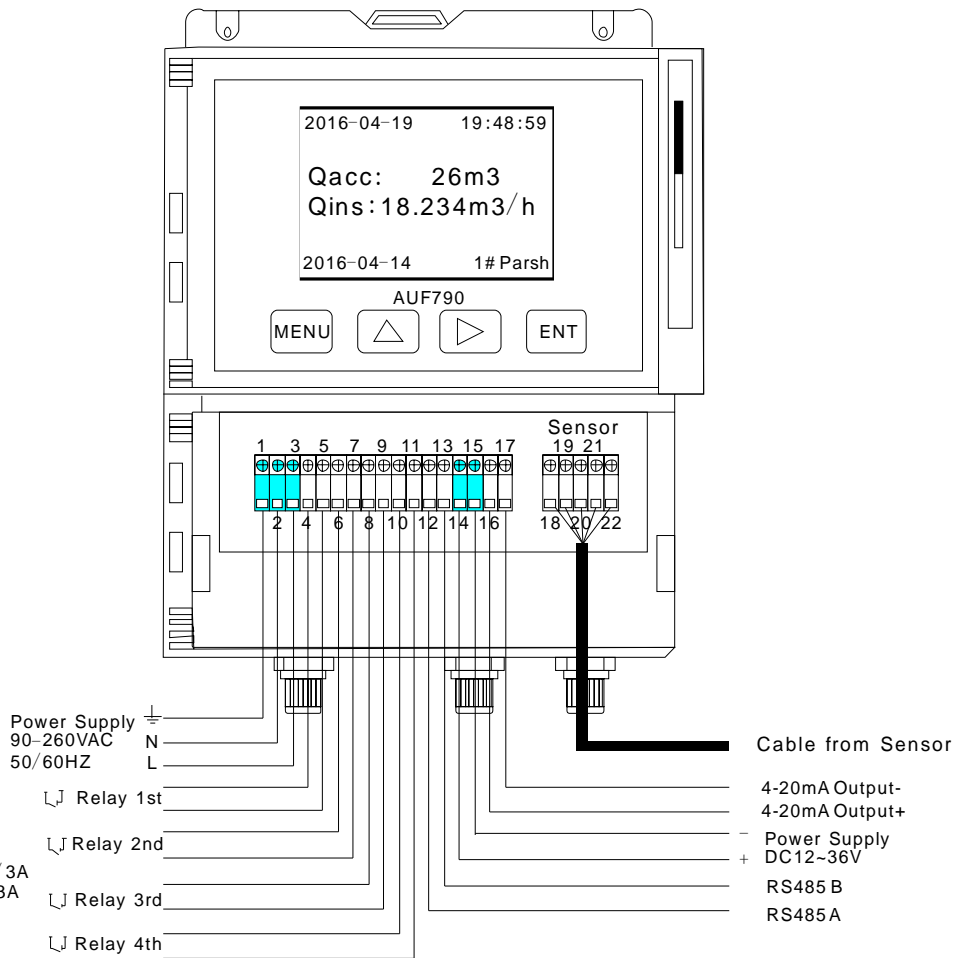


WIRING DIAGRAM

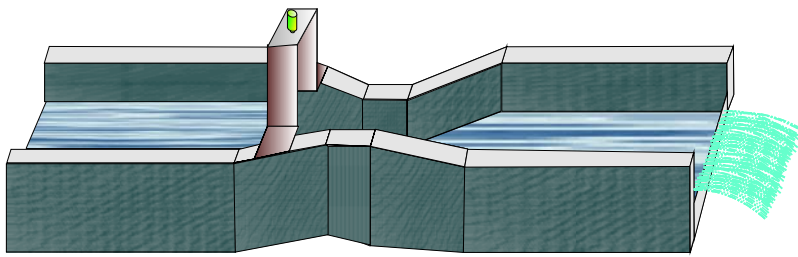
COMPACT VERSION



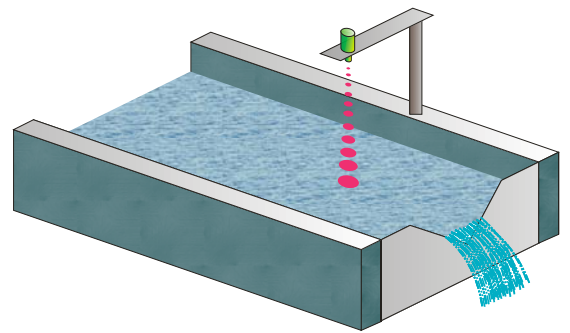
SEPARATE VERSION



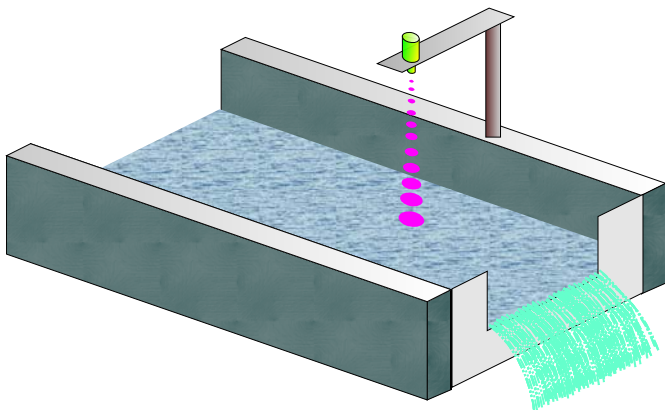
INSTALLATION



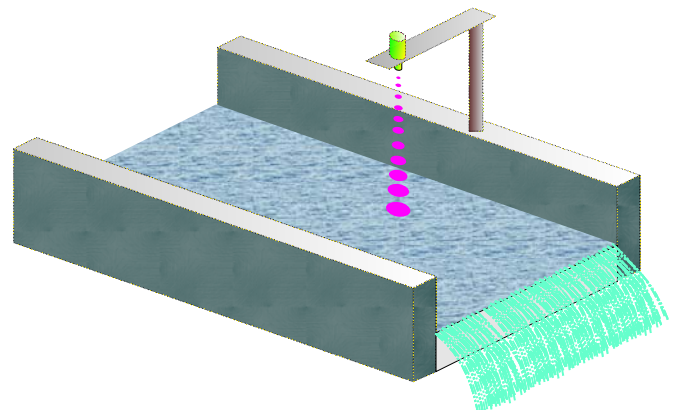
Parshall



V-notch



Rectangular



Rec Rectangular

MODEL SELECTION GUIDE

AUF790 Series					
Example 1: AUF790-E-NN-10-NN					
AUF790-	X-	XX-	XX	-XX	Description
Process Temperature & Material	N-				-40 ~ +60 °C (Polyurethane Sensor Head and ABS Tube)
	E-				-40 ~ +60 °C (ETFE Sensor Head and ETFE Tube)
	H-				-40 ~ +100 °C (ETFE Sensor Head and ETFE Tube)
	G-				-40 ~ +100 °C (PTFE Sensor Head and PTFE Tube)
Alarm		NN-			without Alarm Output
		A1-			With One Alarm Output
		A2-			With Two Alarm Outputs
		A3-			With Three Alarm Outputs
		A4-			With Four Alarm Outputs
Installation & Cable Length		NN			Compact Version (Aluminum Alloy Housing)
		10 ~ 50			Separate Version, Cable 10 M ~ 50 M
Option				-NN	None
				-EX	Explosion Proof, EX d (ia) II B T4 (Compact Only)